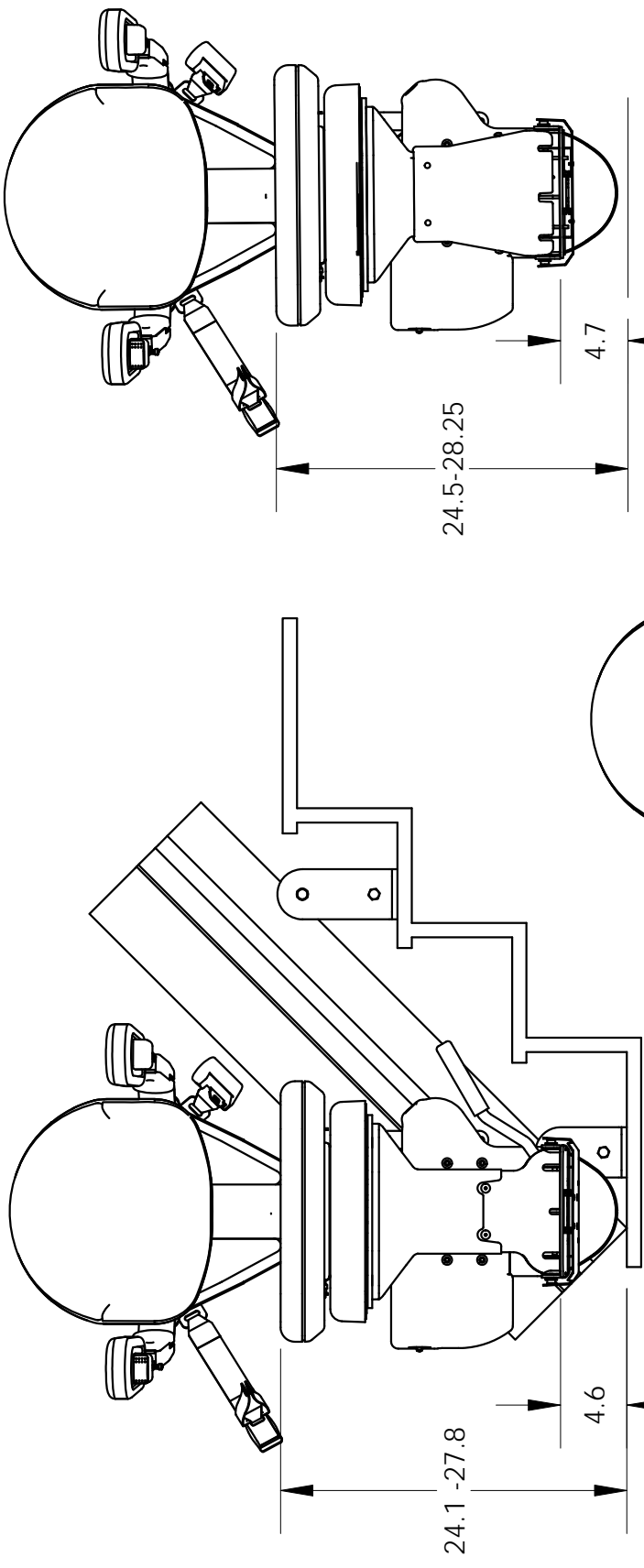


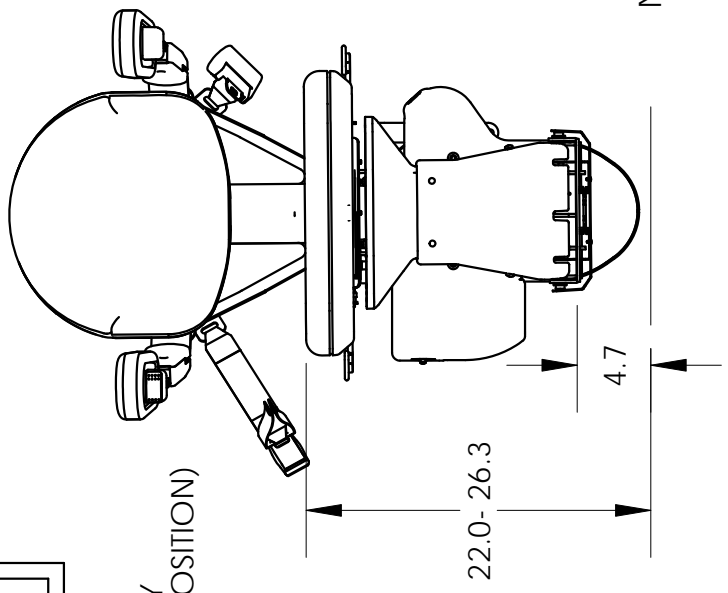
CRE-2110 OPTIONS TECH DRAWING



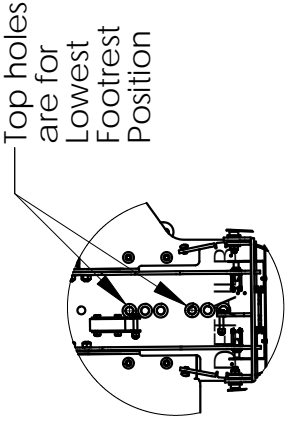
POWER SEAT ONLY
(USES MIDDLE FOOTREST POSITION)
(SEE DETAIL A)

Middle
Footrest
Mounting
is lowest
Position

DETAIL A



POWER FOOTREST ONLY
(USES LOWEST FOOTREST POSITION)
(SEE DETAIL B)



Top holes
are for
Lowest
Footrest
Position

DETAIL B

NOTE: HIGHEST SEAT POSITION ACHIEVED BY USING
BOTTOM FOOTREST MOUNTING HOLES