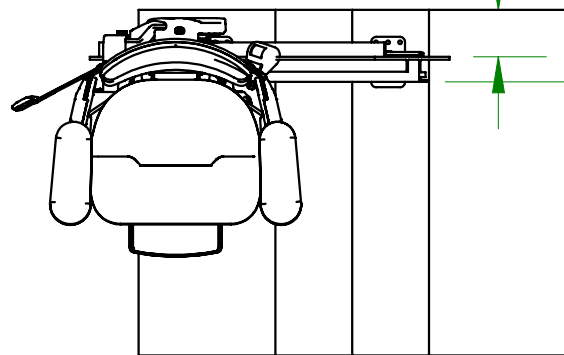


TECHNICAL DATA/SPECIFICATION

MODEL: CRE-2110E OUTDOOR ELITE CURVE
 RATED LOAD: 400 LBS, ONE PASSENGER
 POWER SOURCE: 24 VOLT DC COMPRISED OF (2) 7 AMP/HR
 12 VOLT SEALED BATTERIES
 110 VOLT AC 1.5 AMP, 24 VOLT DC 2 AMP
 CONTINUOUS MONITORING CHARGER.
 DRIVE: 24 VOLT DC DIRECT DRIVE GEAR-MOTOR, 2 POLE
 RATED .68 HP, 58:1 RIGHT ANGLE SELF LOCKING
 GEARBOX, 41.5 RPM NO LOAD RPM OUTPUT SPEED.
 SUSPENSION: RACK & PINION - INTEGRATED 8DP GEAR RACK
 ON RAIL WITH A SPUR GEAR ON THE OUTPUT
 SHAFT OF THE GEAR BOX.
 BRAKING: DYNAMIC MOTOR BRAKING THROUGH THE MOTOR
 CONTROLLER, SELF LOCKING WORM GEAR, AND
 ELECTRO-MECHANICAL MOTOR BRAKE.
 CONTROLS: CONTINUOUS PRESSURE ROCKER SWITCH LOCATED
 ON THE ARM REST AND WALL MOUNTED CALL/SEND
 CONTROLS LOCATED AT BOTH THE TOP AND BOTTOM
 LANDINGS.
 ANGLES: 0 TO 45 DEGREES (SPECIALS UP TO 50 DEGREES) RIGHT
 OR LEFT HAND ORIENTATIONS.
 FINAL LIMIT SWITCH STANDARD
 KEYED CALL/SEND CONTROLS STANDARD
 KEYED CONTROL ON CHAIR STANDARD

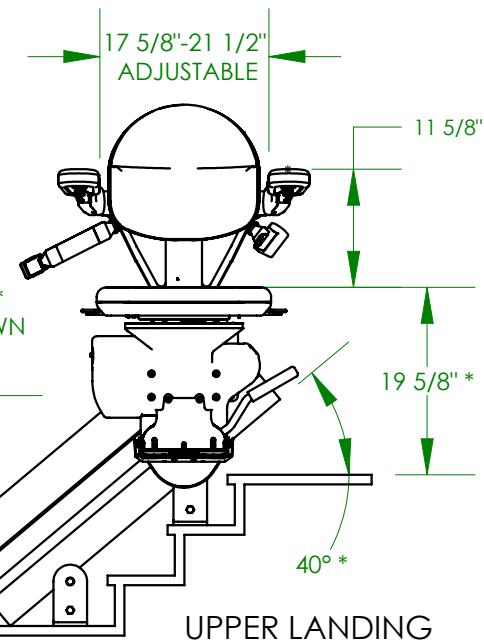
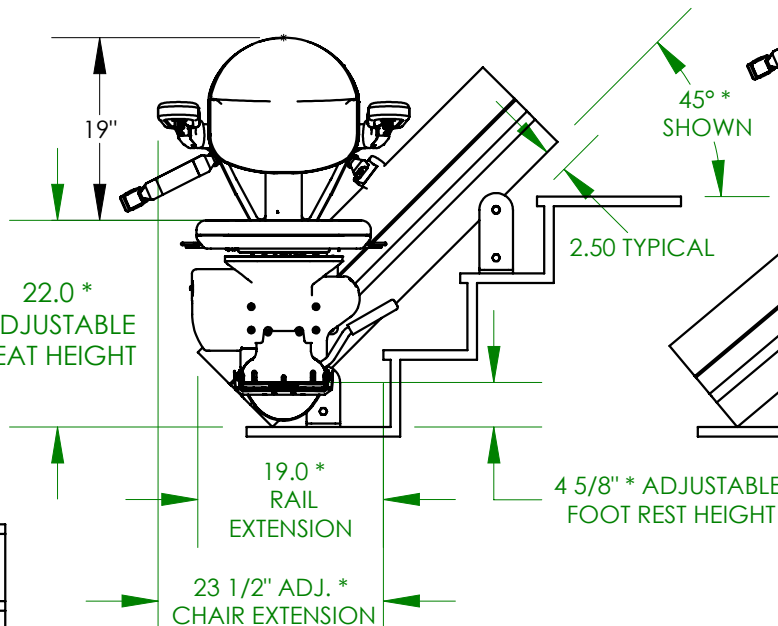
TOP VIEW



4.88 LOWER BACK SIDE OF RAIL

* 7.50 RAIL TO WALL
 OR OBSTRUCTION FOR
 OUTSIDE RADIUS
 8.00 FOR INSIDE RADIUS

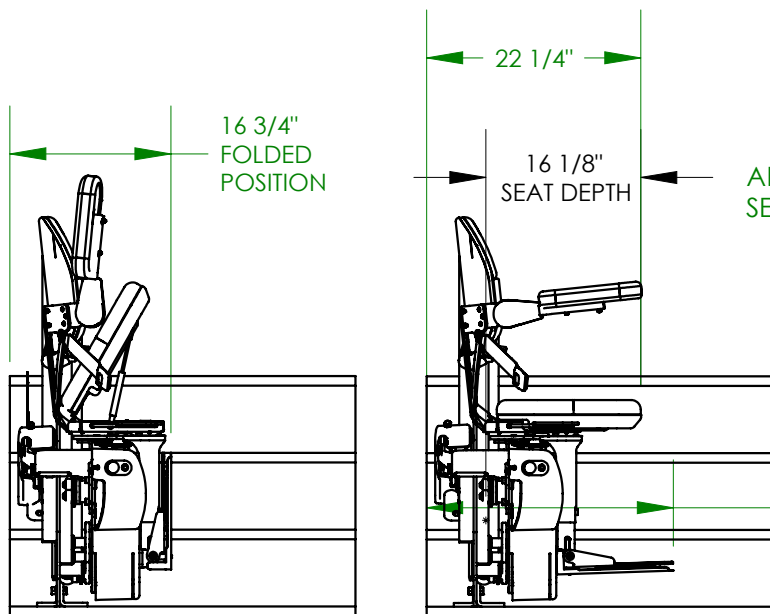
LOWER LANDING



UPPER LANDING

ELEVATION VIEWS

DIMENSIONS WITH * ARE APPROXIMATE.
 THESE DIMENSIONS MAY VARY BASED ON
 THE SLOPE, RISER HEIGHT, AND CUSTOM
 SEAT ADJUSTMENTS MADE FOR THE USER.



DIMENSIONS ARE BASED ON 7.5" RAIL TO WALL POSITION
 SIDE VIEWS

1780 Executive Drive
 P.O. 84
 Oconomowoc, WI 53066
 Tel 800-882-8181
 Fax 262-953-5501
 www.bruno.com

CRE-2110E TECHNICAL DRAWING

