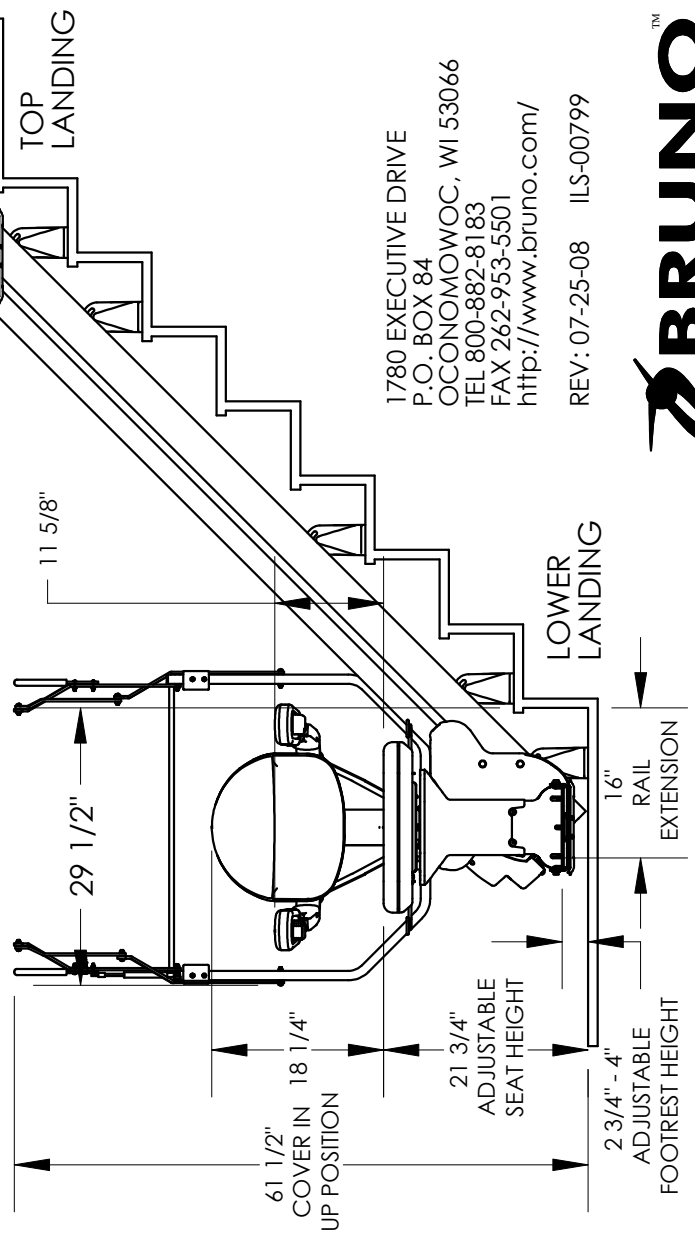
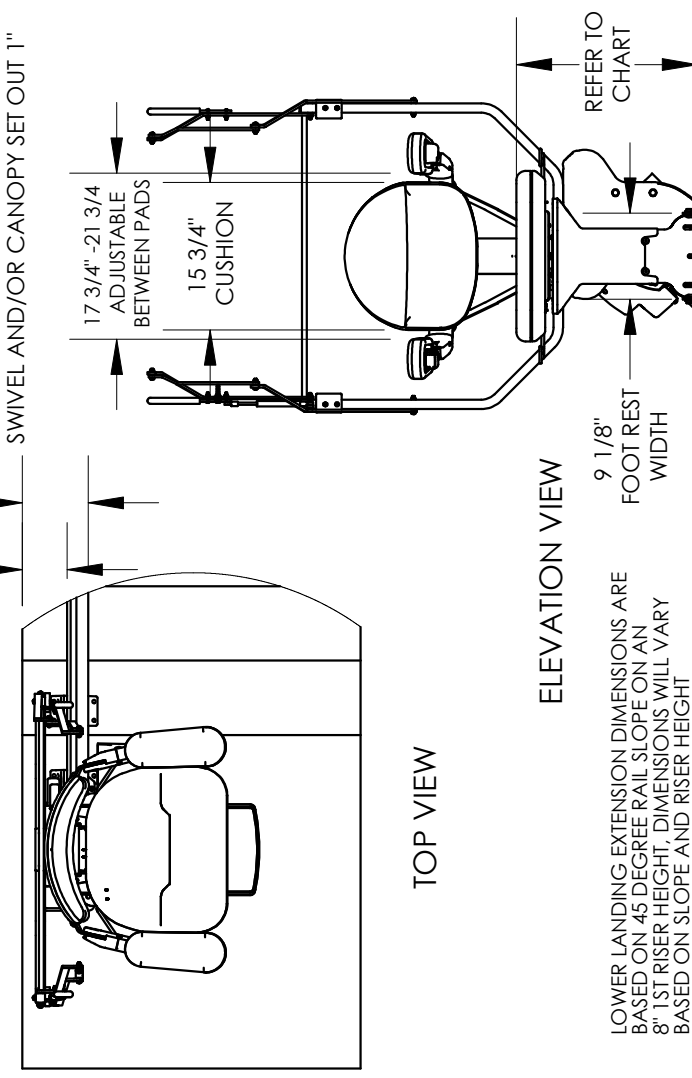


## TECHNICAL DATA/SPECIFICATION

MODEL: SRE-2010E OUTDOOR ELECTRA-RIDE ELITE  
 RATED LOAD: 400 LBS, ONE PASSENGER  
 POWER SOURCE: 24 VOLT DC COMPRISED OF (2) 7 AMP/HR 12 VOLT SEALED BATTERIES  
 110 VOLT AC 1.5 AMP, 24 VOLT DC 2 AMP CONTINUOUS MONITORING CHARGER.  
 DRIVE: 24 VOLT DC DIRECT DRIVE GEAR-MOTOR, 2 POLE RATED .68 HP, 58:1 RIGHT ANGLE SELF LOCKING GEARBOX, 41.5 RPM NO LOAD RPM OUTPUT SPEED.  
 SUSPENSION: RACK & PINION - INTEGRATED 8DP GEAR RACK ON RAIL WITH A SPUR GEAR ON THE OUTPUT SHAFT OF THE GEAR BOX.  
 BRAKING: DYNAMIC MOTOR BRAKING THROUGH THE MOTOR CONTROLLER, SELF LOCKING WORM GEAR, AND ELECTRO-MECHANICAL MOTOR BRAKE.  
 CONTROLS: CONTINUOUS PRESSURE ROCKER SWITCH LOCATED ON THE ARM REST AND WALL MOUNTED CALL/SEND CONTROLS LOCATED AT BOTH THE TOP AND BOTTOM LANDINGS.  
 ANGLES: 0 TO 45 DEGREES (SPECIALS UP TO 50 DEGREES) RIGHT OR LEFT HAND ORIENTATIONS.  
 FINAL LIMIT SWITCH STANDARD  
 KEYED CALL/SEND CONTROLS STANDARD  
 KEYED CONTROL ON CHAIR STANDARD



1780 EXECUTIVE DRIVE  
 P.O. BOX 84  
 OCONOMOWOC, WI 53066  
 TEL 800-882-8183  
 FAX 262-953-5501  
<http://www.bruno.com/>

REV: 07-25-08 ILS-00799