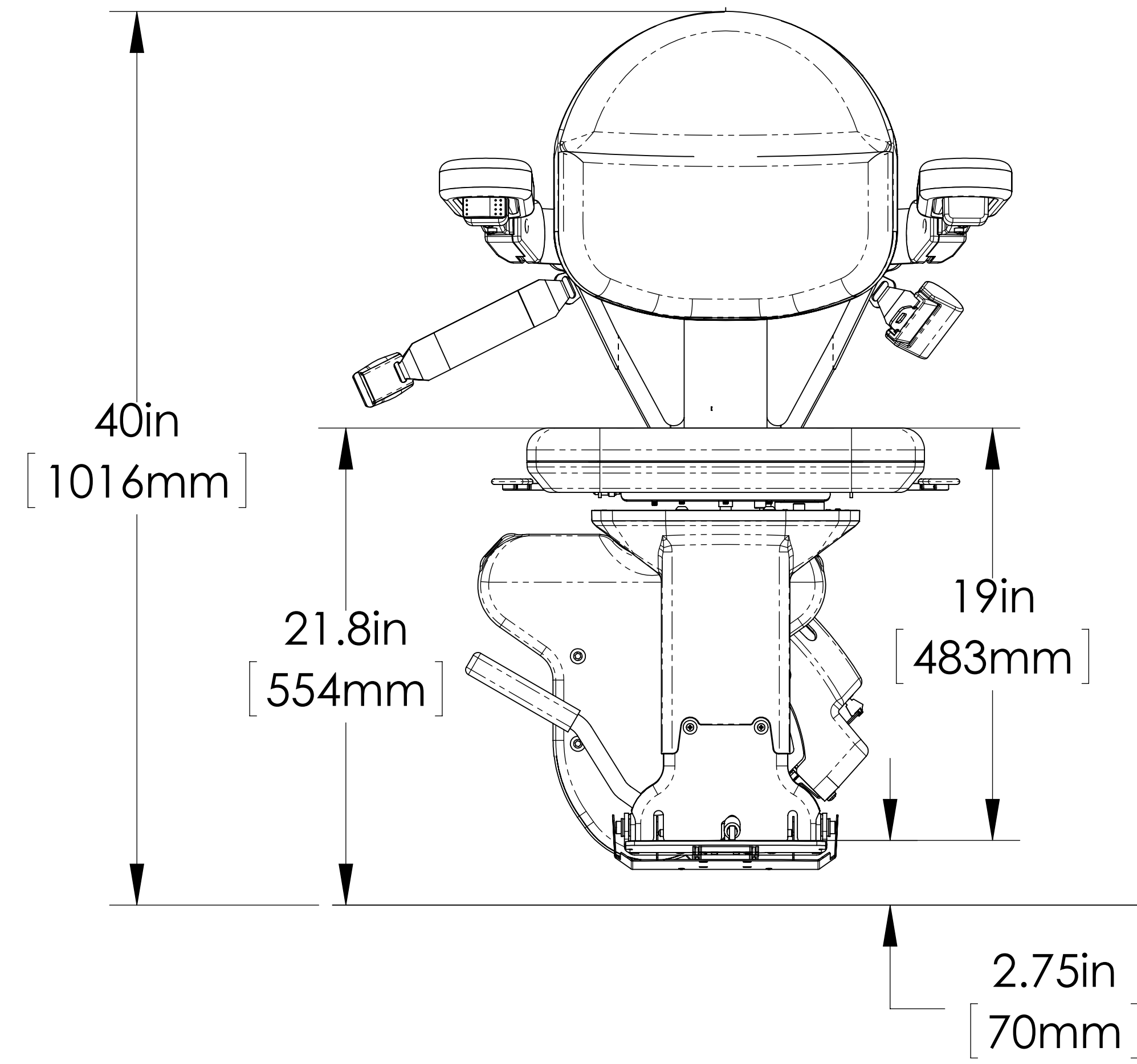


# ELITE POWER OPTIONS TYPICAL DRAWING

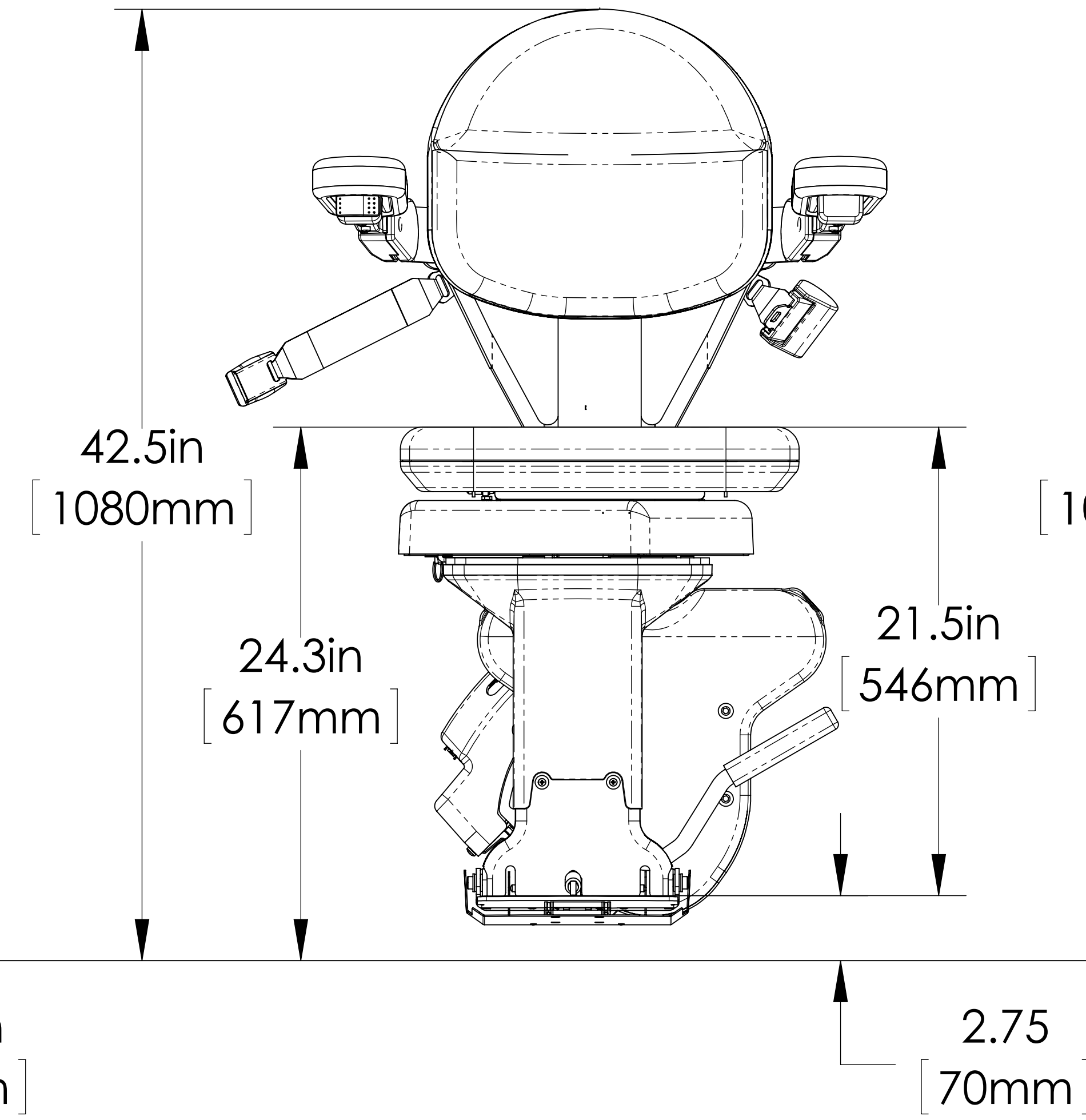
SUPPLEMENTAL SEAT AND FOOTREST DIMENSION FOR POWER OPTIONS

CARRIAGE AND SEAT ELEVATION VIEW  
SEAT AND FOOTREST SHOWN IN LOWEST POSITIONS  
FOR RIGHT HAND INSTALLATIONS

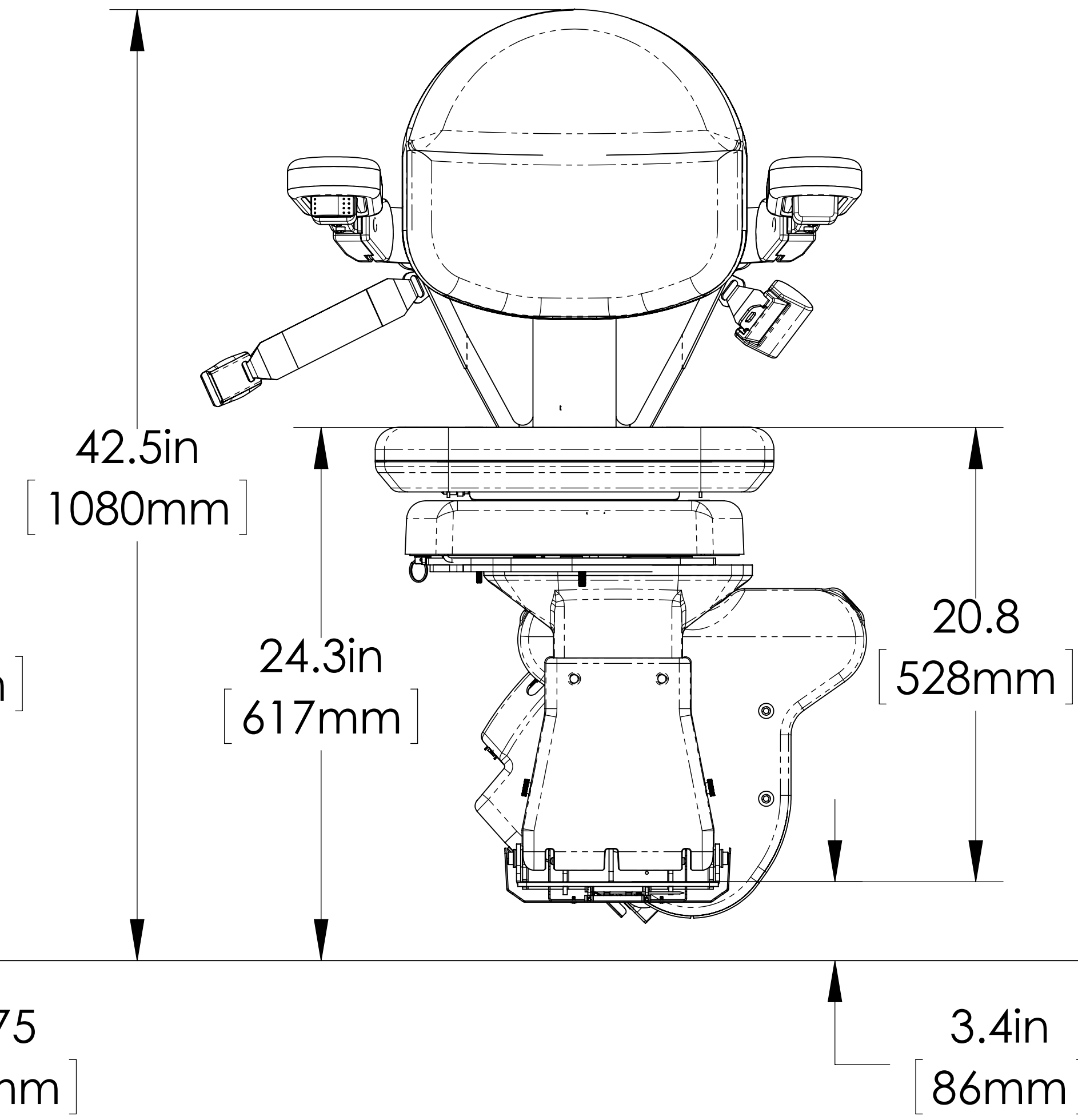
STANDARD SRE-2010



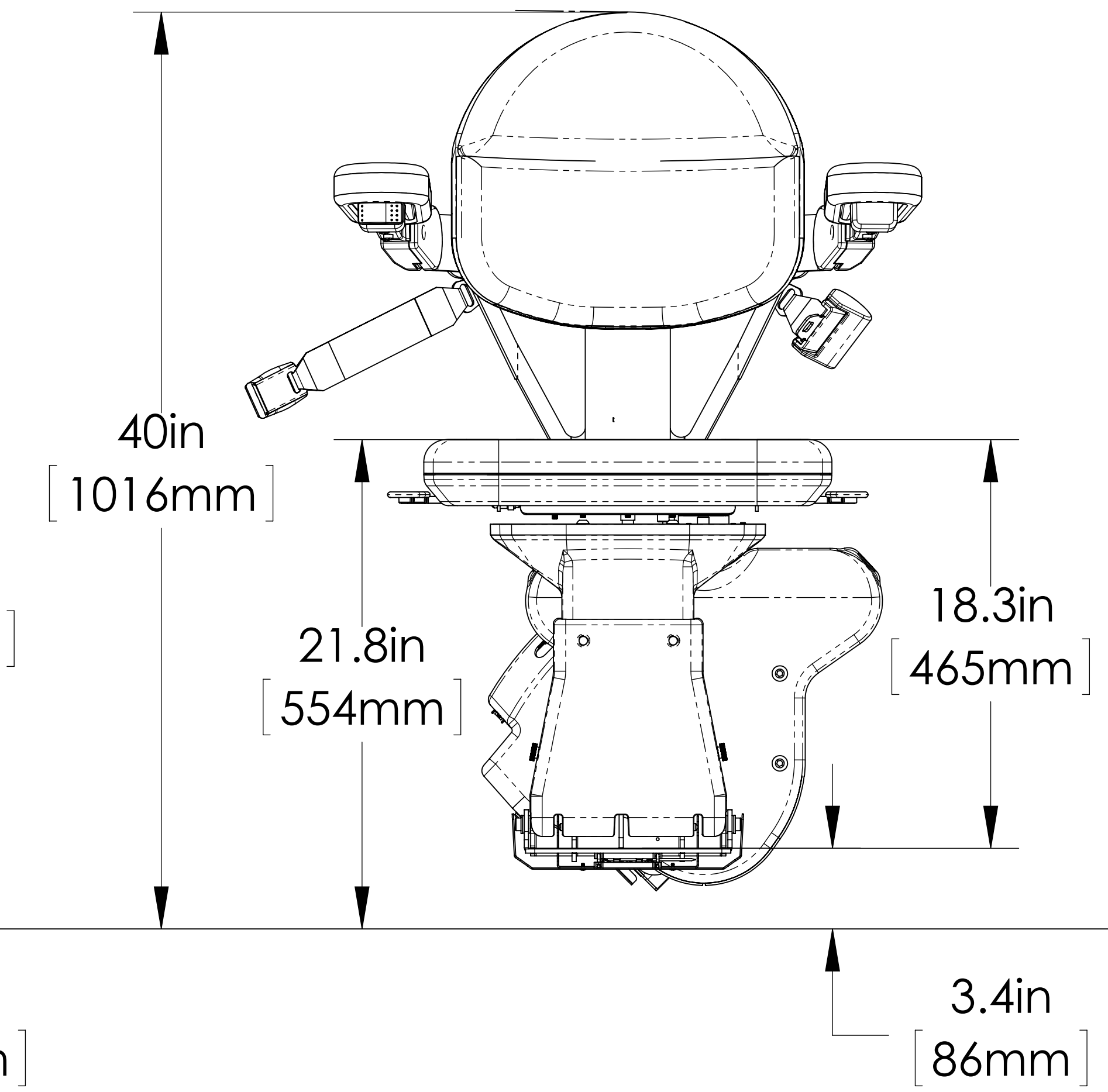
POWER SWIVEL SEAT ONLY  
SRE-2010



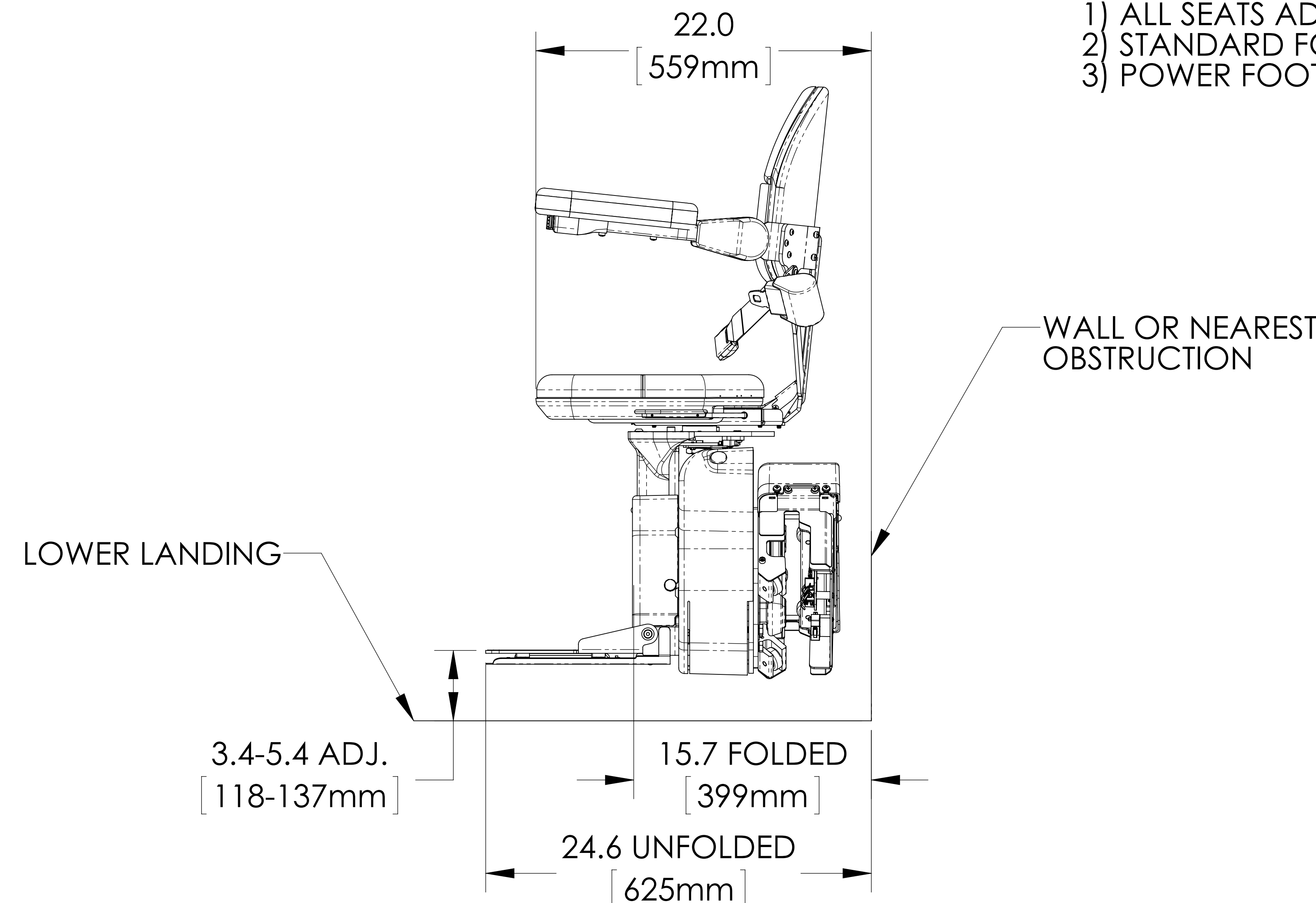
POWER SWIVEL SEAT &  
POWER FOOTREST  
SRE-2010



POWER FOOTREST ONLY  
SRE-2010



POWER FOLDED FOOTREST  
SIDE VIEW



NOTES:

- 1) ALL SEATS ADJUST UP 3" [76mm] IN 1" [25mm] INCREMENTS.
- 2) STANDARD FOOTREST ADJUSTS UP 1 1/4" [31.75mm] IN 5/8" [15.88] INCREMENTS.
- 3) POWER FOOTREST ADJUSTS UP 2" [51mm] IN 1" [25mm] INCREMENTS.

ADD DUAL DIMENSIONS (in./mm).

**ILS-00853**  
**SHEET 1 OF 1**  
**REV. 1 (5901)(5-28-15)(KAS)**

**BRUNO**<sup>®</sup>  
for your independence

©Bruno Independent Living Aids, Inc.