

GENERAL

CLASSIFICATION: STAIR LIFT
 MODEL: SL1000
 CAPACITY: 158 kg [350 Lb]
 SPEED: 0.1 m/sec [20'/min]
 POWER SUPPLY: 110V, 15A, 60Hz, SINGLE PHASE
 MOTOR: 1/2 HP-24 VDC / 110V AC CHARGER
 DRIVE SYSTEM: RACK AND PINION
 CONTROLLER

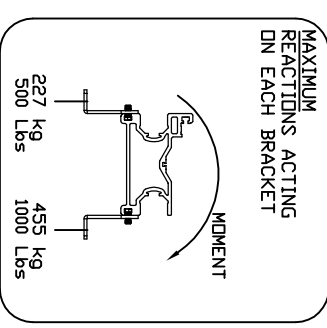
MODEL: LUT125
 TYPE: CPFS
 C UL USE#: 100556887MTL-002
 CONTROL VOLTS: 24VDC
 MFR.: CONTROLLED SPEED ENGINEERING LTD

SPECIFICATIONS

ANGLE OF STAIRCASE: 25° TO 45°
 LENGTH OF STAIRWAY: MAX 384"
 LOCATION: INDOOR
 SEAT COVERING: VINYL PUBLIC PACKAGE:
 COLOR: BEIGE
 CALL STATION: A REMOTE FOR RESIDENTIAL

ANCHORING

WOODEN THREAD:
 ANCHOR EACH BRACKET SET USING
 A MINIMUM OF 4X Ø1/4 X 2"
 WOOD SCREW
 REINFORCED CONCRETE
 ANCHOR EACH BRACKET SET USING
 A MINIMUM OF 4X SLEEVE ANCHORS 1/4-2"
 METAL PLATE / BLOCK
 ANCHOR EACH BRACKET SET USING
 A MINIMUM OF 4X TRHU BOLT 1/4"
 BRACKET POSITION:
 WITHIN 18 INCHES [457] OF EACH END
 OF EACH SECTION OF TRACK
 IN THE CENTER OF EVERY SECTION
 OF TRACK LONGER THAN 4 FEET
 SUPPORT LOAD DIAGRAM



PUBLIC PACKAGE INCLUDES:

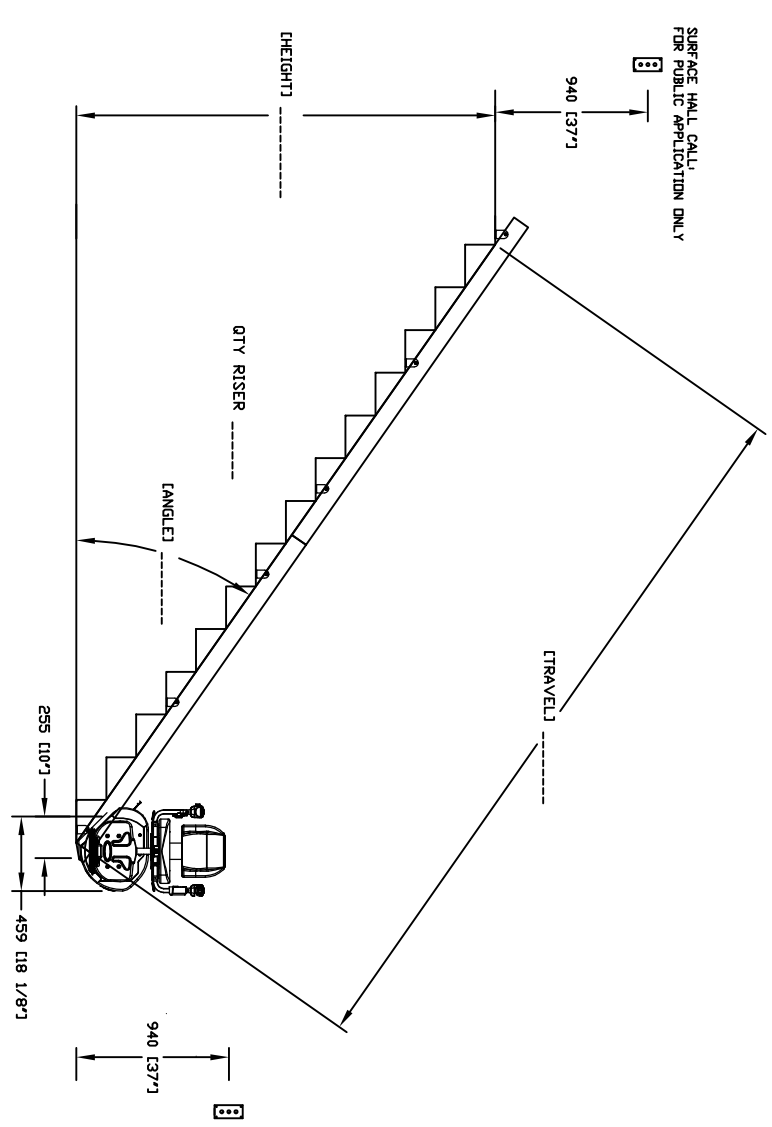
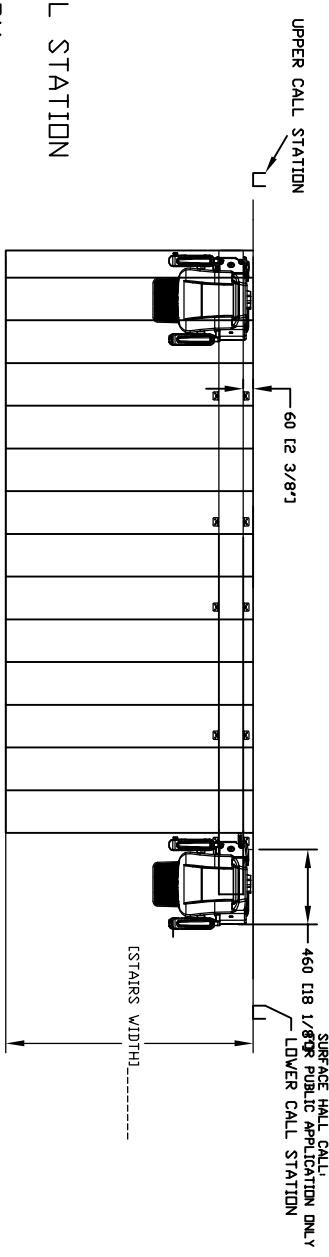
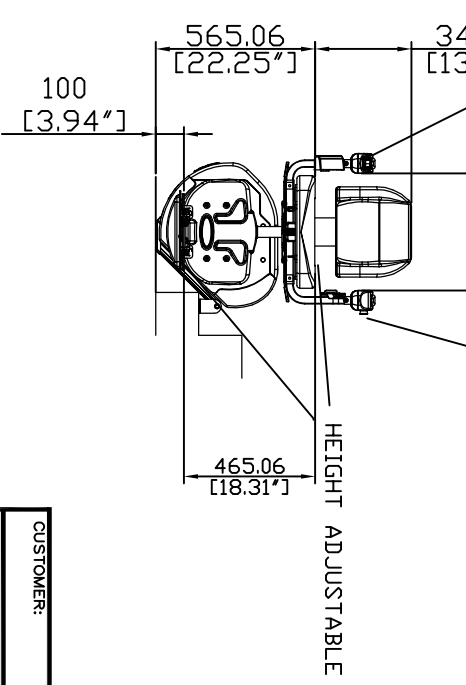
- KEYED SURFACE MOUNT CALL STATION
- OVERSPEED GOVERNOR
- EMERGENCY STOP WITH ALARM
- IN USE LIGHT AND ALARM (ONTARIO ONLY)
- 2252 ON/OFF KEY
- FOLDING ARM SWITCHES

OPTIONS

SIDE OF INSTALLATION: LEFT RIGHT
 QTY OF RAIL SECTION: ----- (94" EACH)
 PUBLIC PACKAGE: YES NO

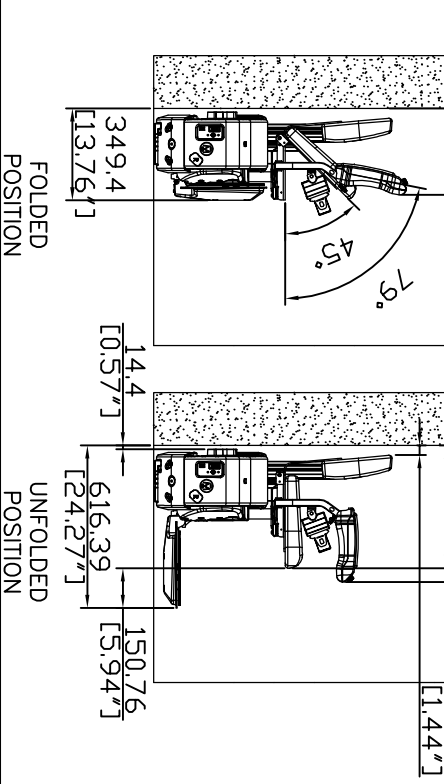
EMERGENCY STOP & OPERATION KEY (PUBLIC APPLICATION)

MIN 414.62 [16 3/8"]
 MAX 533.4 [21"]



RH SHOWN

SL1000



CUSTOMER: _____
 PROJECT: _____
 ADDRESS: _____

DATE: _____
 REVISION DATE: _____
 COMPLETED BY: ALEX B

Part No. SL1000
 Variant No. N/A

 SHEET No. 1 OF 1