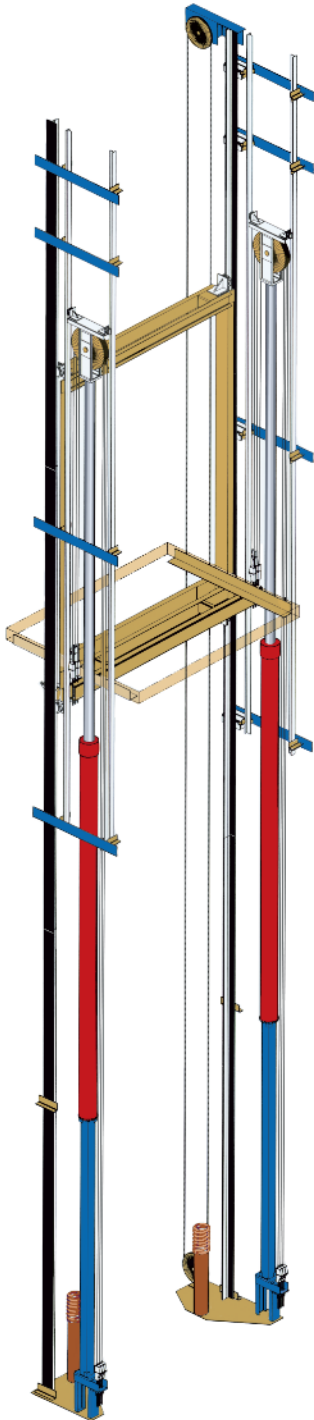


PASSENGER

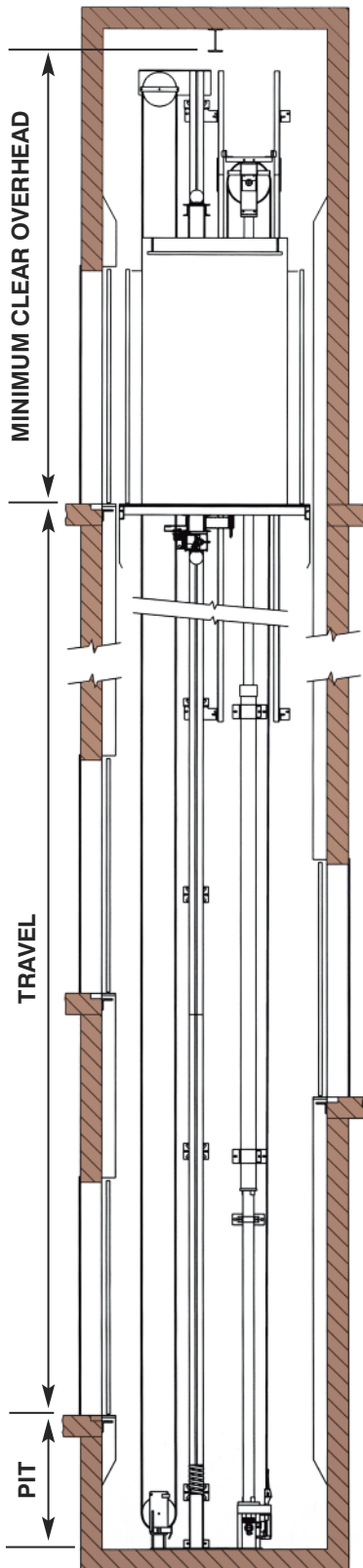
Dual-Roped • Twin Jack • Front/Front and Rear Opening



Our Paragon™ line of dual-roped hydraulic elevator systems provides the industry's widest selection in the class to meet almost any passenger application requiring travels up to 100-feet. These elevators are NEII and ADA compliant.

Canton Elevator manufacturing research and system configuration development has resulted in notably simplified installation procedures. We've modularized many sub-assemblies at the factory to save costly on-site assembly time – still very much a part of competitive offerings. From an owner's perspective, Paragon engineering presents one of the most efficient, easy-to-access hardware packages available helping to ensure quicker maintenance with less downtime.

As with every system we manufacture, a Paragon system represents the most advanced thinking in its class. When you choose Canton Elevator you are assured of receiving the highest quality plus all the engineering support you may request.



• **Pit Depth:**

- Standard is 4'-6" (can be reduced to 4'-0" in certain instances – consult with the factory).

• **Minimum Clear Overhead:**

(based on the standard 8'-0" cab height):

- For speeds up to 100 Feet Per Minute (FPM) – 12'-1" is required.
- For speeds between 101-150 FPM – 12'-4" is required.

• **Maximum Standard Speed:**

- 150 FPM. (Minimum space requirements shown here are for 150 FPM maximum speed) Consult factory for speeds over 150 FPM (200 FPM maximum).

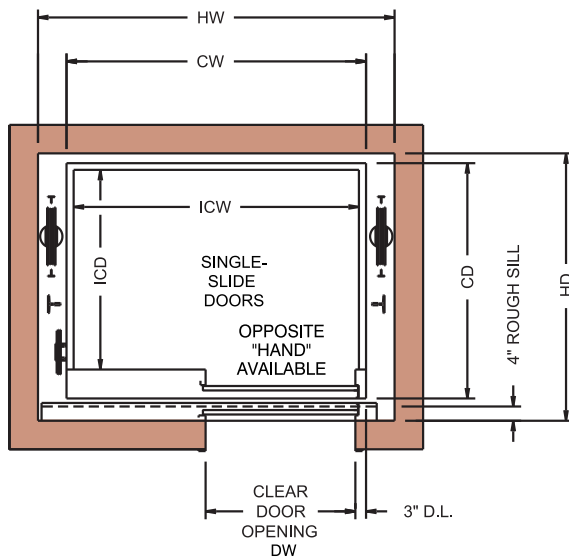
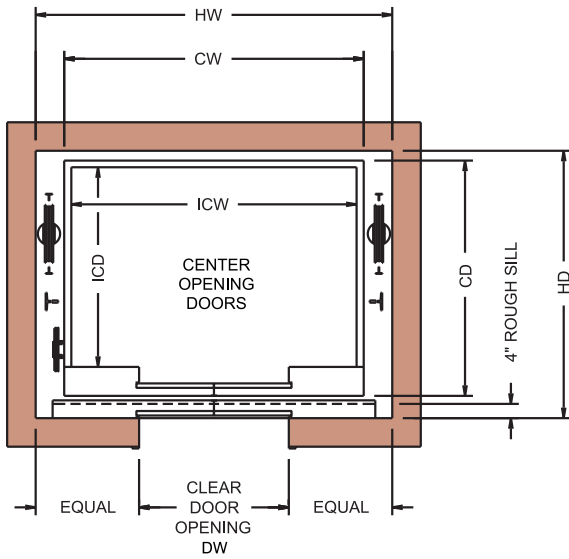
Notes:

1. Adequate supports for main and auxiliary guide rails, as well as jack units and support posts are required at vertical intervals in the elevator hoistway. Normal vertical spacing for these supports is approximately 9'-0". As such, supports at floor levels only may not be adequate. Support locations are to be masonry or steel construction. If a block (CMU) hoistway is provided, block must be filled with mortar around the wall insert to provide rigid structure.
2. Pit and Overhead requirements shown are necessary to provide clearances as required by ASME/ANSI A17.1 Safety Code.
3. A pit ladder (to be provided and installed by others) is required in accordance with ASME/ANSI A17.1 Safety Code.
4. Top of hoistway must be vented in accordance with ASME/ANSI A17.1 Safety Code and local building code(s).
5. A 110V AC power outlet is required in the pit.
6. The hoist beam required for installation of elevator must be removed (by others) if minimum cab clearance is not available under the beam.

Machine Room

1. An area of 5'-6" x 7'-0" x 8'-0" high is usually adequate for a single car installation, with a 3'-0" wide door opening for access.
2. Recommended location is adjacent to the hoistway at the bottom landing served. Machine room can be remotely located at any landing or above the hoistway – please consult the factory.
3. Machine room temperature and humidity must be maintained in accordance with ASME/ANSI A17.1 Safety Code and to allow proper operation of the equipment.

This information is intended for preliminary planning. We have attempted to include the basic data you need for planning. For details about a specific or custom installation, please contact your local Canton Elevator Sales Representative, or contact us directly.



*2000# CAPACITY				
Dimensions	Travels up to 51'-0"	Travels up to 64'-0"	Travels up to 78'-0"	Travels up to 100'-0"
HW	7'-5"	7'-8"	7'-9"	8'-0"
HD	5'-10"	5'-10"	5'-10"	5'-10"
CW	6'-0"	6'-0"	6'-0"	6'-0"
CD	5'-1"	5'-1"	5'-1"	5'-1"
ICW	5'-8"	5'-8"	5'-8"	5'-8"
ICD	4'-3"	4'-3"	4'-3"	4'-3"
DW	3'-0"	3'-0"	3'-0"	3'-0"

* IN ORDER TO MEET ADA, NO CENTER PARTING DOORS PERMITTED.

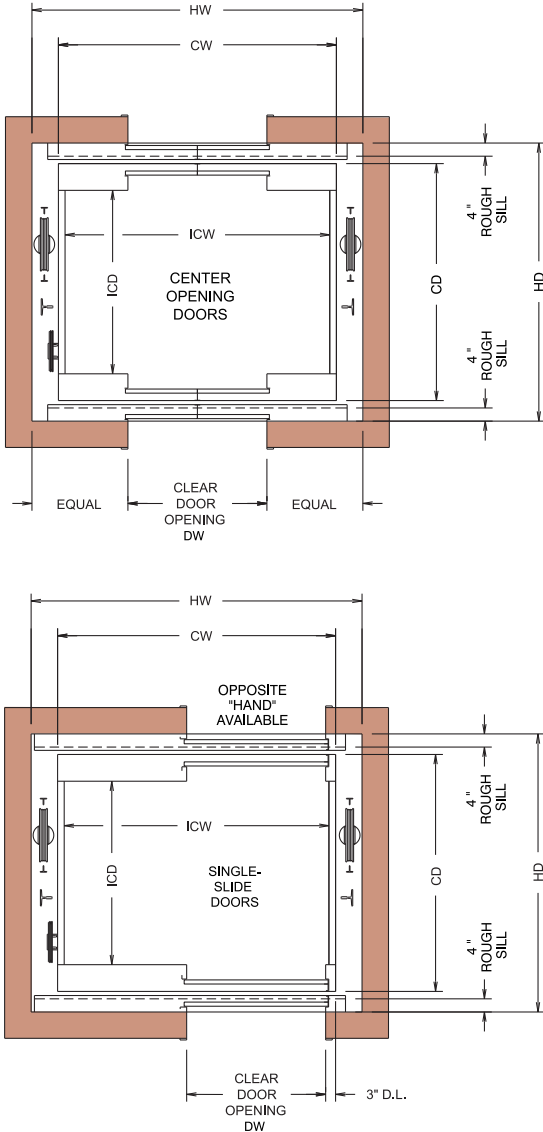
2500# CAPACITY				
Dimensions	Travels up to 48'-0"	Travels up to 61'-0"	Travels up to 74'-0"	Travels up to 100'-0"
HW	8'-5"	8'-8"	8'-9"	9'-0"
HD	5'-10"	5'-10"	5'-10"	5'-10"
CW	7'-0"	7'-0"	7'-0"	7'-0"
CD	5'-1"	5'-1"	5'-1"	5'-1"
ICW	6'-8"	6'-8"	6'-8"	6'-8"
ICD	4'-3"	4'-3"	4'-3"	4'-3"
DW	3'-6"	3'-6"	3'-6"	3'-6"

3000# CAPACITY				
Dimensions	Travels up to 45'-0"	Travels up to 58'-0"	Travels up to 70'-0"	Travels up to 100'-0"
HW	8'-5"	8'-8"	8'-9"	9'-0"
HD	6'-3"	6'-3"	6'-3"	6'-3"
CW	7'-0"	7'-0"	7'-0"	7'-0"
CD	5'-6"	5'-6"	5'-6"	5'-6"
ICW	6'-8"	6'-8"	6'-8"	6'-8"
ICD	4'-8"	4'-8"	4'-8"	4'-8"
DW	3'-6"	3'-6"	3'-6"	3'-6"

3500# CAPACITY				
Dimensions	Travels up to 37'-0"	Travels up to 55'-0"	Travels up to 67'-0"	Travels up to 100'-0"
HW	8'-5"	8'-8"	8'-9"	9'-0"
HD	6'-11"	6'-11"	6'-11"	6'-11"
CW	7'-0"	7'-0"	7'-0"	7'-0"
CD	6'-2"	6'-2"	6'-2"	6'-2"
ICW	6'-8"	6'-8"	6'-8"	6'-8"
ICD	5'-4"	5'-4"	5'-4"	5'-4"
DW	3'-6"	3'-6"	3'-6"	3'-6"

NOTES:

1. Hoistway widths and depths can be reduced by 1 inch if conditions require and hoistway plumbness is maintained.
2. All elevators shown here comply with NEII and ADA space requirements for wheelchair access.
3. 2000- pound elevators must have single-slide doors to meet NEII and ADA requirements for wheelchair access.
4. 2500-, 3000- & 3500- pound elevators shown here comply with NEII and ADA requirements for ambulance stretcher access, unless equipped with center-parting doors.



*2000# CAPACITY				
Dimensions	Travels up to 50'-0"	Travels up to 63'-0"	Travels up to 77'-0"	Travels up to 100'-0"
HW	7'-5"	7'-8"	7'-9"	8'-0"
HD	6'-9 1/2"	6'-9 1/2"	6'-9 1/2"	6'-9 1/2"
CW	6'-0"	6'-0"	6'-0"	6'-0"
CD	5'-9"	5'-9"	5'-9"	5'-9"
ICW	5'-8"	5'-8"	5'-8"	5'-8"
ICD	4'-4"	4'-4"	4'-4"	4'-4"
DW	3'-0"	3'-0"	3'-0"	3'-0"

*IN ORDER TO MEET ADA, NO CENTER PARTING DOORS PERMITTED.

2500# CAPACITY				
Dimensions	Travels up to 46'-0"	Travels up to 59'-0"	Travels up to 72'-0"	Travels up to 100'-0"
HW	8'-5"	8'-8"	8'-9"	9'-0"
HD	6'-9 1/2"	6'-9 1/2"	6'-9 1/2"	6'-9 1/2"
CW	7'-0"	7'-0"	7'-0"	7'-0"
CD	5'-9"	5'-9"	5'-9"	5'-9"
ICW	6'-8"	6'-8"	6'-8"	6'-8"
ICD	4'-4"	4'-4"	4'-4"	4'-4"
DW	3'-6"	3'-6"	3'-6"	3'-6"

3000# CAPACITY				
Dimensions	Travels up to 44'-0"	Travels up to 56'-0"	Travels up to 69'-0"	Travels up to 100'-0"
HW	8'-5"	8'-8"	8'-9"	9'-0"
HD	7'-1 1/2"	7'-1 1/2"	7'-1 1/2"	7'-1 1/2"
CW	7'-0"	7'-0"	7'-0"	7'-0"
CD	6'-1"	6'-1"	6'-1"	6'-1"
ICW	6'-8"	6'-8"	6'-8"	6'-8"
ICD	4'-8"	4'-8"	4'-8"	4'-8"
DW	3'-6"	3'-6"	3'-6"	3'-6"

NOTES:

1. Hoistway widths and depths can be reduced by 1 inch if conditions require and hoistway plumbness is maintained. If depth of hoistway is reduced 1", car depth must be reduced 1" also.
2. All elevators shown here comply with NEII and ADA space requirements for wheel chair access.
3. 2000- pound elevators must have single-slide doors to meet NEII and ADA requirements for wheelchair access.
4. 2500-, 3000- & 3500- pound elevators shown here comply with NEII and ADA requirements for ambulance stretcher access, unless equipped with center-parting doors.

3500# CAPACITY			
Dimensions	Travels up to 54'-0"	Travels up to 66'-0"	Travels up to 100'-0"
HW	8'-8"	8'-9"	9'-0"
HD	7'-9 1/2"	7'-9 1/2"	7'-9 1/2"
CW	7'-0"	7'-0"	7'-0"
CD	6'-9"	6'-9"	6'-9"
ICW	6'-8"	6'-8"	6'-8"
ICD	5'-4"	5'-4"	5'-4"
DW	3'-6"	3'-6"	3'-6"



647 Third Street N.W. • Massillon, OH 44647
 Ph. 330-833-3600 • Fax 330-833-0229
 www.cantonelevator.com • e-mail: info@cantonelevator.com